

Payload Plan

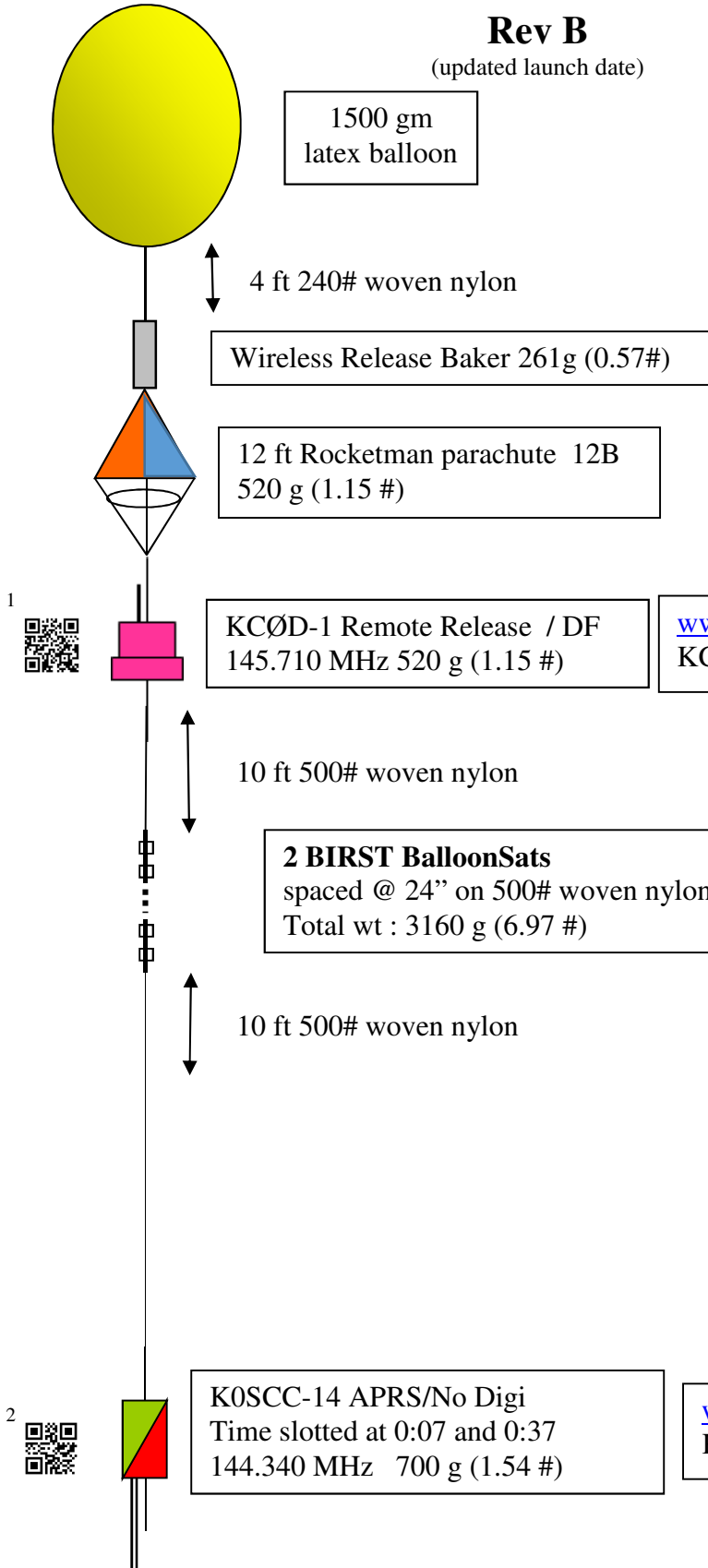
EOSS-313 Lite

0720 MDT, 01 AUG 2021

Rev B

Genoa, CO

(updated launch date)



1500 gm
latex balloon

4 ft 240# woven nylon

Wireless Release Baker 261g (0.57#)

12 ft Rocketman parachute 12B
520 g (1.15 #)

KCØD-1 Remote Release / DF
145.710 MHz 520 g (1.15 #)

www.wxqa.com/sss/balon1.cgi
KCØD-1 / EOSS-313

10 ft 500# woven nylon

2 BIRST BalloonSats
spaced @ 24" on 500# woven nylon
Total wt : 3160 g (6.97 #)

10 ft 500# woven nylon

K0SCC-14 APRS/No Digi
Time slotted at 0:07 and 0:37
144.340 MHz 700 g (1.54 #)

www.wxqa.com/sss/balon1.cgi
K0SCC-14 / EOSS-313

Item	Weight pounds	Weight kg
Student Experiments	6.97	3.160
EOSS Payloads	3.24	1.470
Parachute	1.15	0.520
Neck load	11.35	5.150
Balloon	3.31	1.500
Gross Weight	14.66	6.650
Gross Lift Factor	1.30	1.30
Neck Lift	15.75	7.144
H2 fill; scf (approx)	258	
Burst Altitude; kft km	95.2	29.0

¹ www.aprs.fi/kc0d-1 (that is a zero)

² www.aprs.fi/k0scc-14 (that is a zero)