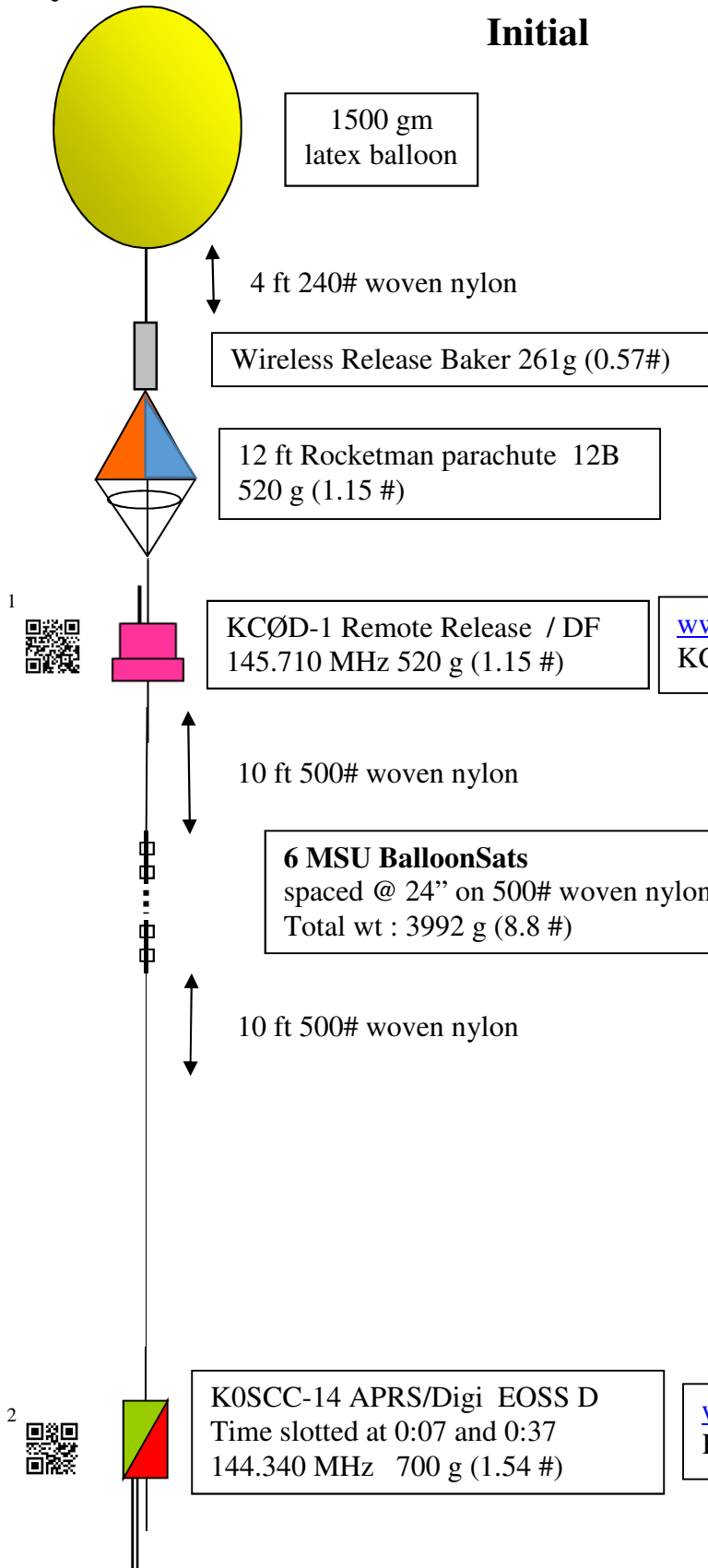


Payload Plan

EOSS-310 Lite Initial

0715 MDT, 10 APR 2021
Wiggins, CO



Item	Weight pounds	Weight kg
Student Experiments	8.80	3.992
EOSS Payloads	2.69	1.220
Parachute	1.15	0.520
Neck load	12.64	5.732
Balloon	3.31	1.500
Gross Weight	15.94	7.232
Gross Lift Factor	1.30	1.30
Neck Lift	17.42	7.900
H2 fill; scf (approx)	280	
Burst Altitude; kft km	93.4	28.5

www.wxqa.com/sss/balon1.cgi
KCØD-1 / EOSS-310

www.wxqa.com/sss/balon1.cgi
K0SCC-14 / EOSS-310

¹ www.aprs.fi/kc0d-1 (that is a zero)

² www.aprs.fi/k0scc-14 (that is a zero)